

## 150W Constant Voltage-LS Series

LS-150-XX LI



■ Approve



### ■ Features

- Class II, SELV, independent
- Input Voltage 220-240VAC
- Protections: SCP/OLP/OTP
- Power Factor >0.9
- Efficiency ≥90%
- 5 years warranty

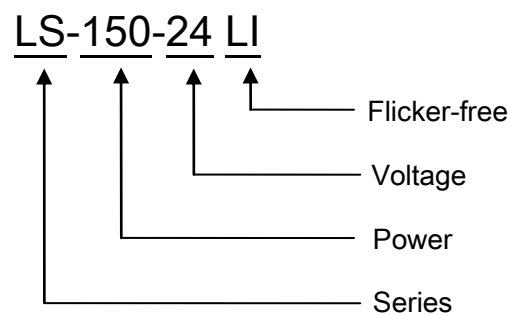
### ■ Applications

- LED strips
- Pendant light

### ■ Description

LS-150-XX LI is a 150W constant voltage LED driver that operates from 198-264Vac input with 12V or 24V output voltage. With its compact dimensions from 254.5 x 44.5 x 32mm it is easy to integrate in LED strips and pendant light products. To ensure trouble-free operation, protection is provided against output short circuit and over Load.

### ■ Model code



## 150W Constant Voltage-LS Series

LS-150-XX LI

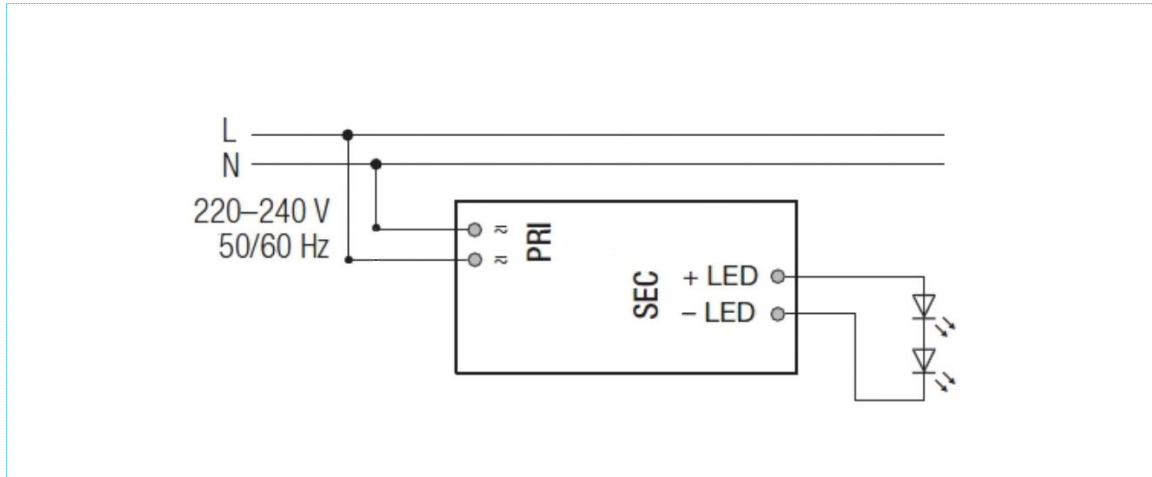
### ■ Specification

Input	Rated input voltage	220-240VAC	
	Range of input voltage	198-264VAC	
	Frequency(Hz)	50/60 Hz	
	Power Factor	> 0.9@220-240VAC, Full load	
	Input Current max	0.95A MAX. @Full Load,198VAC	
	Start-up time	< 0.5S	
	Unload Power Consumption	≤0.5W	
	Inrush Current	90A Max.	
	THD	< 20% @220-240VAC, Full load	
	Leakage Current	< 0.5mA(240VAC)	
Output	Constant Voltage	12±1VDC	24±1VDC
	Current Range	12.5A Max.	6.25A Max.
	Rated power	150W Max.	
	Voltage Accuracy	±5%	
	Voltage Regulation	±1% @Full Load	
	Load Regulation	±1%	
	Hold-up Time	≥5ms/230VAC @ full load	
	Ripple & Noise *Note.2	≤120mV@Full Load,240VAC	≤240mV@Full Load,240VAC
	Output LF current ripple(<120Hz)	100mV Typ.	110mV Typ.
	Efficiency(Typ.)	≥90%	
Protection	Over Load Protection	105-150% rated output power Protection type: Auto Resume	
	Short circuit Protection	Protection type: Auto Resume	
	Over Temperature protection	Protection type: Auto Resume	
Environment	Operating Temperature	-20°C...+40°C	
	tc	90°C	
	Storage Temperature	-20°C...+60°C	
	Life time	> 30,000h@40°C, full load	
	Temperature coefficient	±0.03%/°C(0-40°C)	
	Humidity	10%-95%RH	
Others	Dimension	254.5X44.5X32(LXWXH)mm	
Safety & EMC	Safety standards	EN 61347-1; EN61347-2-13; EN62493	
	Withstand voltage	Input-Output : 3750V/5mA/1min	
	Isolation resistance	Input-Output : ≥4MΩ@500VDC	
	EMI	EN55015; EN61000-3-2 Class C; EN61000-3-3	
	EMS	EN 61547; EN 61000-4-2; EN 61000-4-5 —1000V;	
Note	1.All parameters NOT specially mentioned are measured at 240VAC input , full load and 25°C of ambient temperature. 2.Ripple & Noise are measured at 20MHz of bandwidth by using a 300mm twisted pair-wire terminated with a 0.1uF & 47 uF parallel capacitor.		

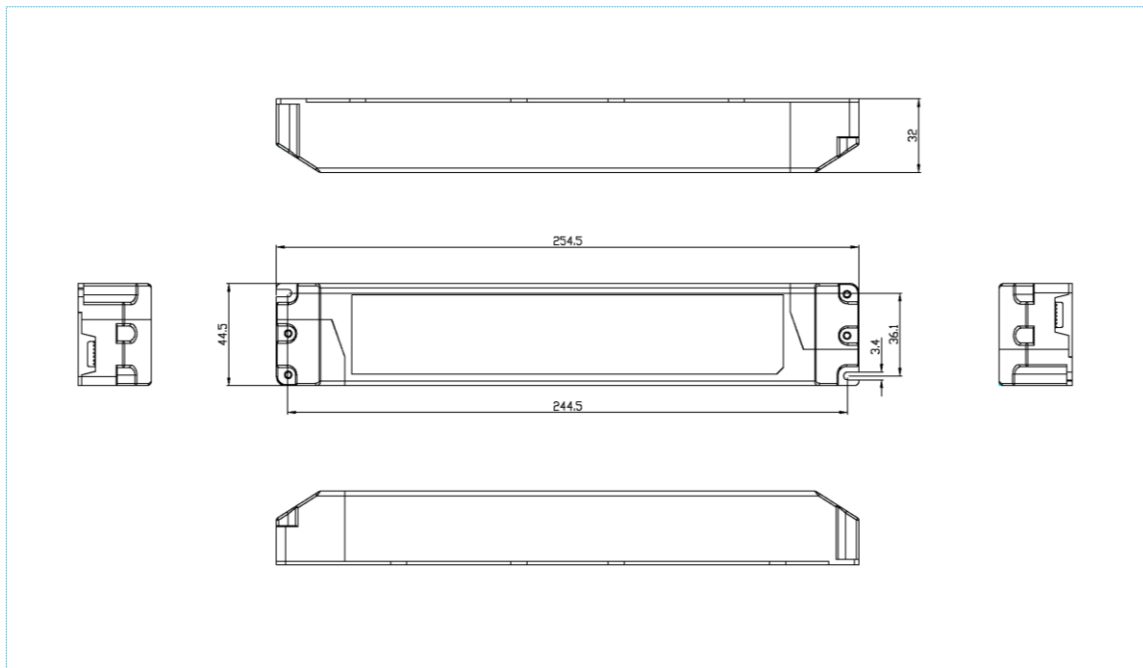
## 150W Constant Voltage-LS Series

LS-150-XX LI

### ■ Connection diagram



### ■ 2D diagram

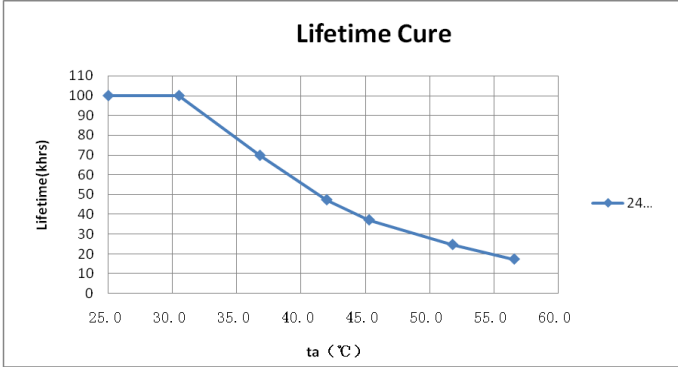


# 150W Constant Voltage-LS Series

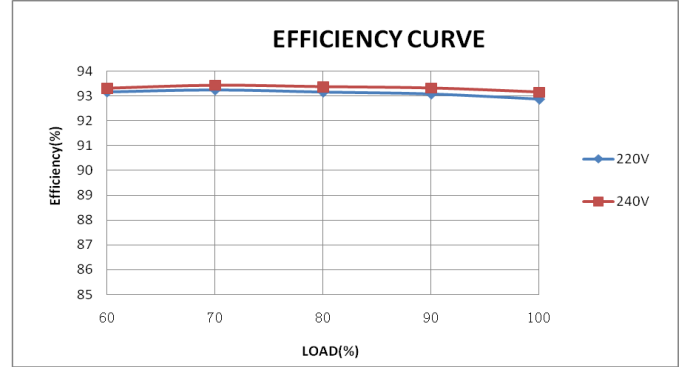
## LS-150-XX LI

### Curve for LS-150-24 LI

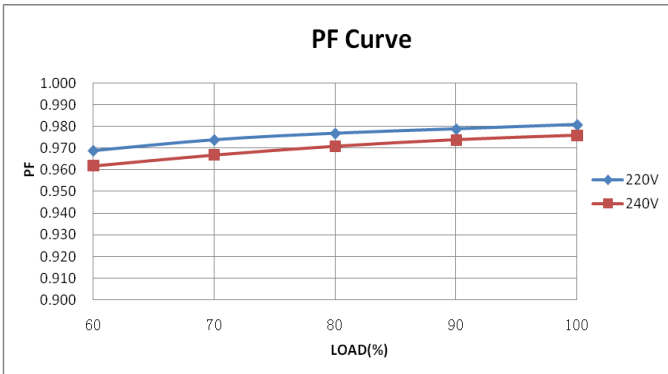
#### Lifetime vs. Ambient Temperature Curve



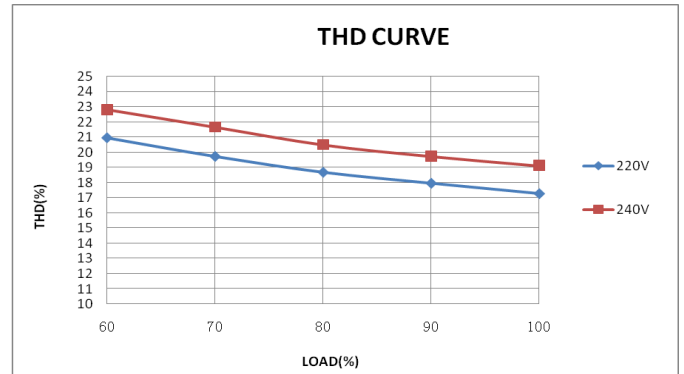
#### Efficiency vs. Load



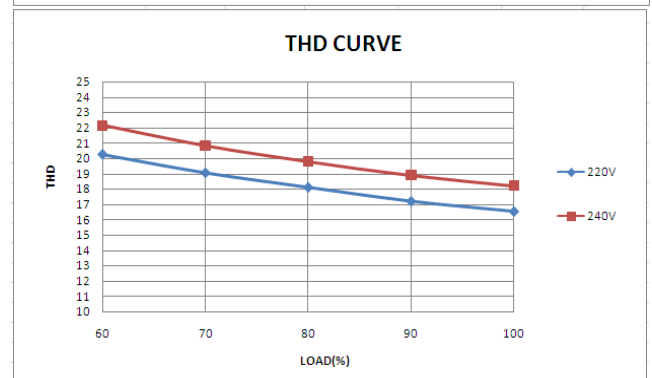
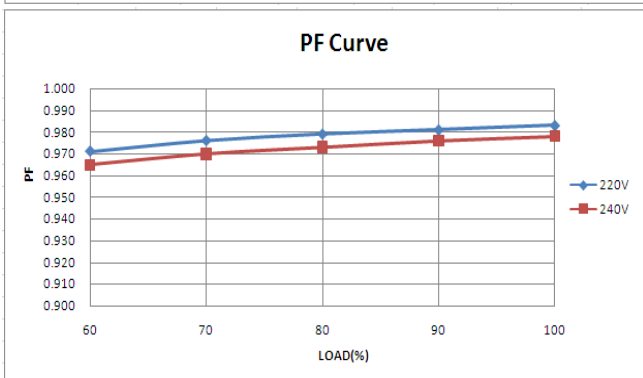
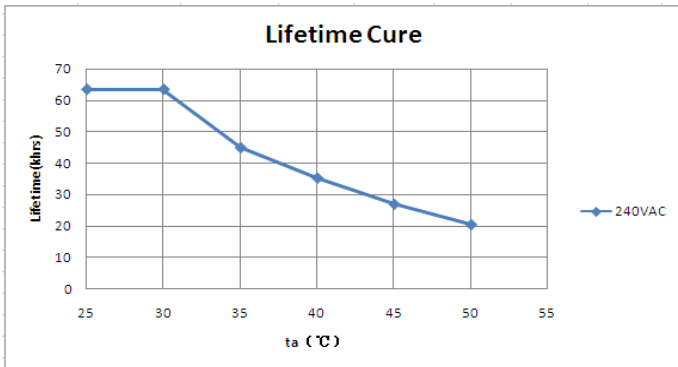
#### Power Factor Characteristics



#### THD vs. Load



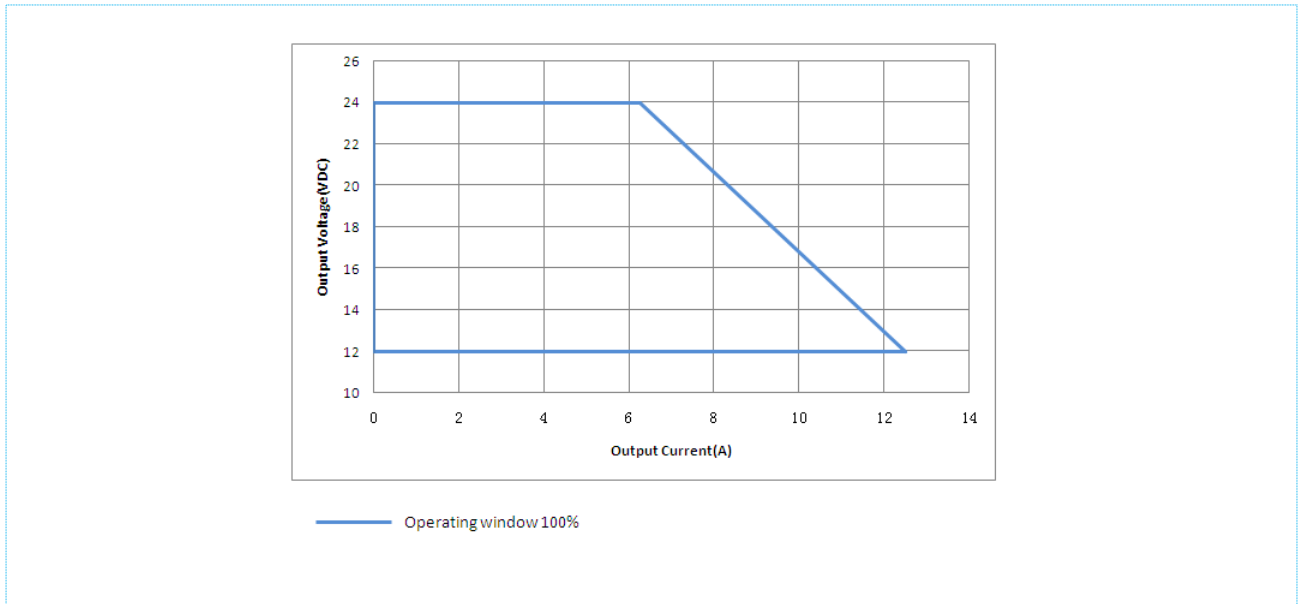
### Curve for LS-150-12 LI



## 150W Constant Voltage-LS Series

LS-150-XX LI

### ■ Operating window



### ■ Revision Updates

ITEM	BEFORE	AFTER	VERSION	DATE
Initial			1.0.0	2018-9-10