

30W Constant Voltage Slim-US Series

EIP030VXXXXU1



■Approve



■Features

- Class II, SELV, independent
- Input Voltage 220-240VAC
- Protections: SCP/OLP/OVP/OTP
- Power Factor >0.9
- Efficiency ≥82%
- 5 years warranty

■Applications

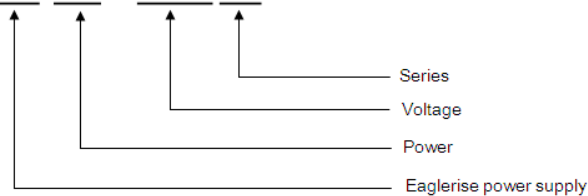
- LED strips
- kitchen light
- bathroom light

■Description

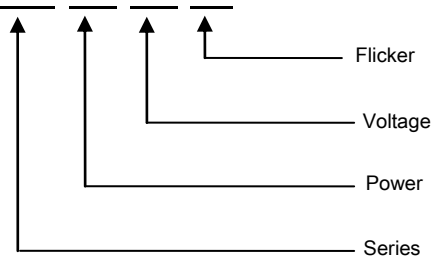
EIP030VXXXXU1 (US-30-XX RI) is a 30W constant voltage LED driver that operates from 176-264Vac input with 12V or 24V output voltage. With its slim dimensions from 241 x 31x 16.5mm it is easy to integrate in LED strips, kitchen light and bathroom light products. To ensure trouble-free operation, protection is provided against output short circuit, over Load and over temperature.

■Model code

EIP030V0120U1



US-30-12 RI



30W Constant Voltage Slim-US Series

EIP030VXXXXU1

■ Specification

Input	Rated input voltage	220-240VAC	
	Range of input voltage	176-264VAC	
	Frequency(Hz)	50/60 Hz	
	Power Factor	> 0.9@Full load, 240VAC	
	Input Current max	0.24A MAX. @Full Load,176VAC	
	Start-up time	< 1S	
	Unload Power Consumption	≤1W	
	Inrush Current	10A Max.	
	THD	< 15% Typ. @Full load, 240VAC	
	Leakage Current	< 0.5mA(240VAC)	
Output	Constant Voltage	12VDC	24VDC
	Current Range	0-2.5A	0-1.25A
	Rated power	30W Max.	
	Voltage Accuracy	±5%	
	Voltage Regulation	±1% @Full Load	
	Load Regulation	≤4%	
	Hold-up Time	1s max.@Full Load	
	Ripple & Noise *Note.2	≤1.4V@Full Load,240VAC	≤2V@Full Load,240VAC
	Efficiency(Typ.)	≥82%	≥85%
Protection	Over Load Protection	105-150% Protection type: Auto Resume	
	Over Voltage Protection	> 12.6VDC	> 25.2VDC Protection type: Auto Resume
	Short circuit Protection	Protection type: Auto Resume	
	Over Temperature protection	Protection type: Auto Resume	
Environment	Operating Temperature	-20°C...+50°C	
	tc	85°C	
	Storage Temperature	-25°C...+60°C	
	Life time	> 30,000h@45°C	
	Temperature coefficient	±0.03%/°C(0-45°C)	
Others	Humidity	10%-95%RH	
	Dimension	241X31X16.5(LXWXH)mm	
Safety & EMC	Weight	0.12kg/PC	
	Safety standards	EN 61347-1; EN61347-2-13	
Safety & EMC	Withstand voltage	Input-Output : 3750V/5mA/1min	
	Isolation resistance	Input-Output : ≥4MΩ@500VDC	
	EMI	EN55015; EN61000-3-2 Class C; EN61000-3-3	
	EMS	EN 61547; EN 61000-4-2; EN 61000-4-5 —1000V;	
Note	1.All parameters NOT specially mentioned are measured at 240VAC input , full load and 25°C of ambient temperature. 2.Ripple & Noise are measured at 20MHz of bandwidth by using a 300mm twisted pair-wire terminated with a 0.1uF & 47 uF parallel capacitor.		

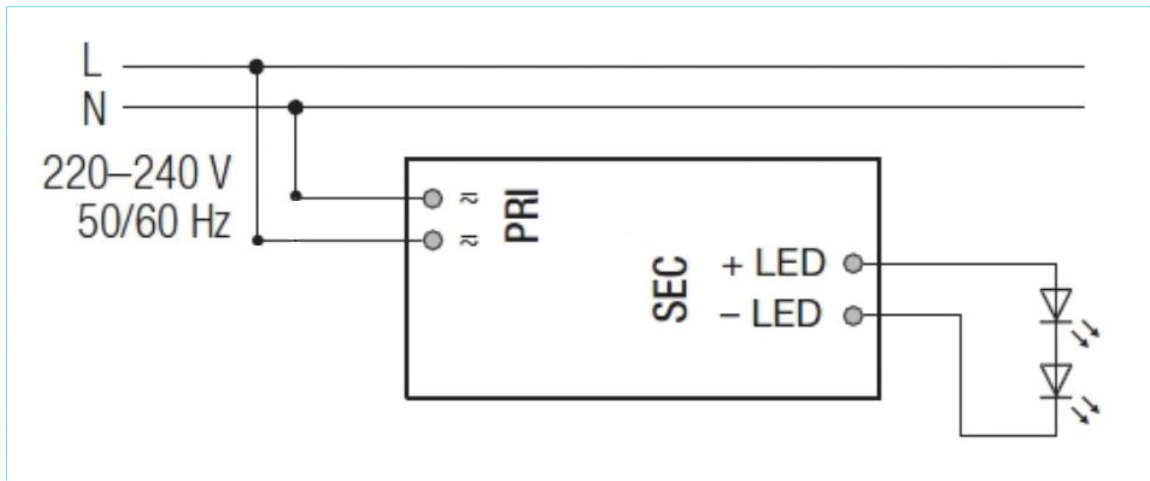
30W Constant Voltage Slim-US Series

EIP030VXXXXU1

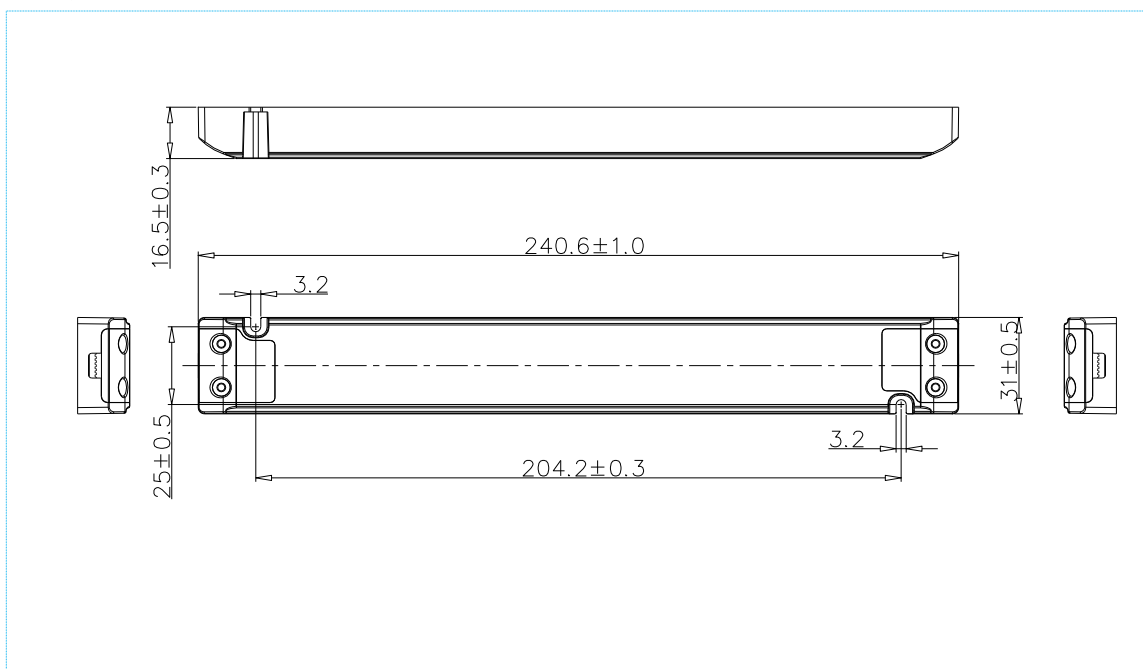
■ Ordering data

Type	Pcs/Ctn	G.W.(KG/Gtn)	N.W.(KG/Gtn)	Dimension /Ctn (mm)
EIP030VXXXXU1	100	12.3	12	300x270x210

■ Connection diagram



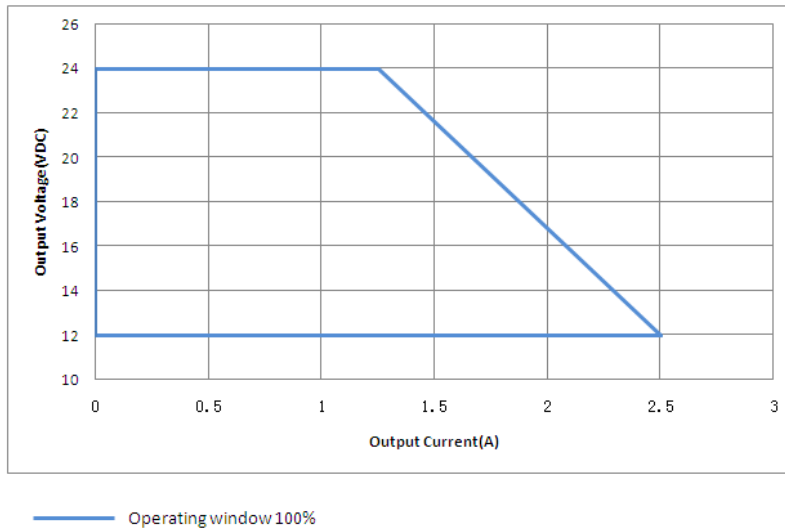
■ 2D diagram



30W Constant Voltage Slim-US Series

EIP030VXXXXU1

■ Operating window



30W Constant Voltage Slim-US Series

EIP030VXXXXU1

■ Revision Updates

ITEM	BEFORE	AFTER	VERSION	DATE
Initial			1.0.0	2018-9-10